

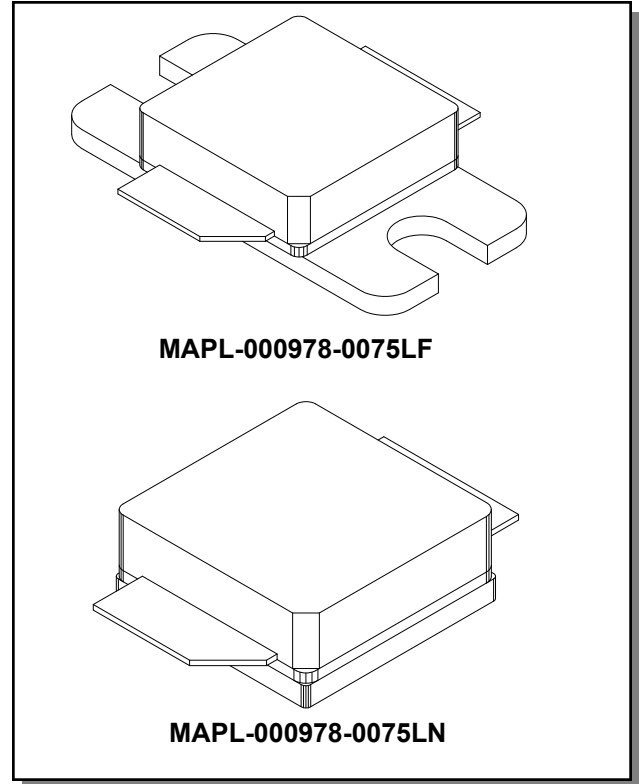
LDMOS Pulsed Power Transistor
 75W, 978 MHz, 400µs Pulse, 1% Duty

M/A-COM Products
 Released, 23 Jun 09

Features

- Gold LDMOS microwave power transistor
- Common source configuration
- Broadband Class AB operation
- RoHS Compliant
- Avionics applications specifically designed for Internal input and output impedance matching.
- Integrated ESD Protection
- RoHS Compliant

Product Image



Absolute Maximum Ratings at 25°C

Parameter	Symbol	Rating	Units
Drain-Source Voltage	V_{DSS}	60	V
Gate-Source Voltage	V_{GS}	-0.7 to 15	V
Total Power Dissipation ($T_C = 25^\circ\text{C}$)	P_{TOT}	350	W
Storage Temperature	T_{STG}	-65 to +175	°C
Junction Temperature	T_J	200	°C

Thermal Characteristics

Parameter	Test Conditions	Symbol	Max	Units
Thermal Resistance, Junction to Case	$V_{DD} = 28\text{V}$, $I_{DQ} = 250\text{mA}$, $P_{out} = 75\text{W}$	$R_{TH(JC)}$	0.5	°C/W

Typical RF Performance

Freq. (MHz)	Pin (W)	Pout (W)	Gain (dB)	Id-Pk (A)	Eff (%)	RL (dB)	VSWR-S (2:1)	VSWR-T (5:1)	P1dB	
									Pout (W)	Gain (dB)
978	1.1	75	18.2	5.3	50	-16	S	P	81	18.0

Typical RF performance measured in M/A-COM RF test fixture. Devices tested in common source Class-AB configuration as follows:
 $V_{DD}=28\text{V}$, $I_{DQ}=250\text{mA}$ (pulsed), $F=978\text{MHz}$, $Pulse=400\mu\text{s}$, $Duty=1\%$.

LDMOS Pulsed Power Transistor
 75W, 978 MHz, 400µs Pulse, 1% Duty

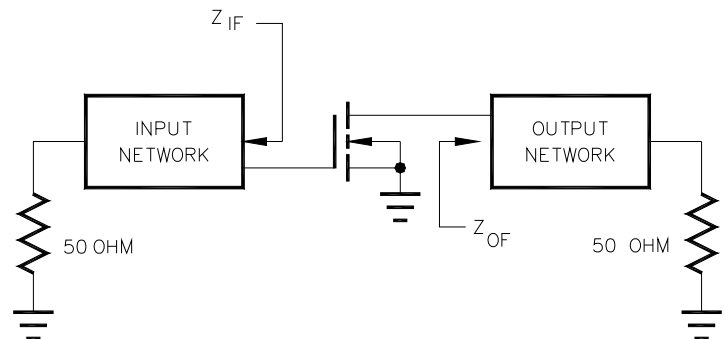
M/A-COM Products
 Released, 23 Jun 09

Electrical Specifications: $T_c = 25 \pm 5^\circ\text{C}$ (Room Ambient)

Parameter	Test Conditions	Symbol	Min	Typ	Max	Units
DC CHARACTERISTICS						
Drain-Source Breakdown Voltage	$V_{GS} = 0V, I_D = 30mA$	BV_{DSS}	60	-	-	V
Drain Leakage Current	$V_{DS} = 28V, V_{GS} = 0V$	I_{DSS}	-	-	50	µA
Gate-Source Leakage Current	$V_{GS} = 10V, V_{DS} = 0V$	I_{GSS}	-	-	2	µA
Gate Threshold Voltage	$V_{DS} = 10V, I_D = 30mA$	$V_{GS(th)}$	2	2.5	4	V
Forward Transconductance	$V_{GS} = 10V, I_D = 1A$	G_M	1.5	-	-	S
DYNAMIC CHARACTERISTICS						
Input Capacitance	$V_{DS} = 28V, V_{GS} = 0V, F = 1MHz$ (capacitance values without internal matching)	C_{iss}	-	200	-	pF
Output Capacitance	$V_{DS} = 28V, V_{GS} = 0V, F = 1MHz$	C_{oss}	-	83	-	pF
Reverse Transfer Capacitance	$V_{DS} = 28V, V_{GS} = 0V, F = 1MHz$	C_{rss}	-	3.0	-	pF
RF FUNCTIONAL TESTS						
Power Gain	$V_{DD} = 28V, I_{DQ} = 250mA, P_{out} = 75W$	G_P	16.5	18.2	-	dB
Drain Efficiency	$V_{DD} = 28V, I_{DQ} = 250mA, P_{out} = 75W$	η_D	45	50	-	%
Input Return Loss	$V_{DD} = 28V, I_{DQ} = 250mA, P_{out} = 75W$	RL	-	-16	-10	dB
1dB Compression Point	$V_{DD} = 28V, I_{DQ} = 250mA$	P1dB	-	81	-	W
Load Mismatch Stability	$V_{DD} = 28V, I_{DQ} = 250mA, P_{out} = 75W$	VSWR-S	-	-	2:1	-
Load Mismatch Tolerance	$V_{DD} = 28V, I_{DQ} = 250mA, P_{out} = 75W$	VSWR-T	-	-	5:1	-

Test Fixture Impedance

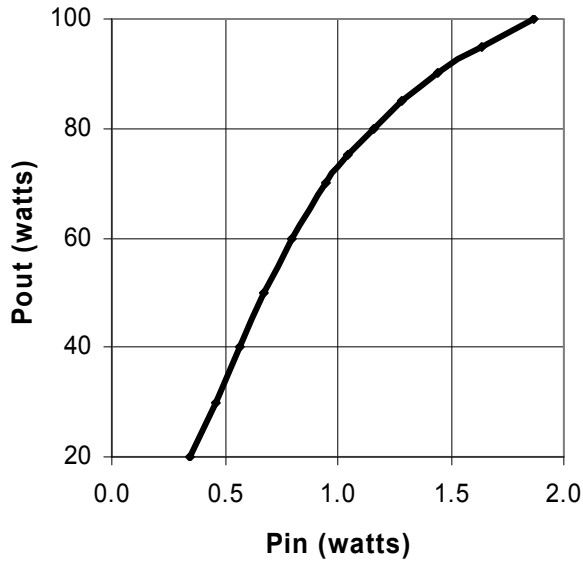
F (MHz)	Z_{IF} (Ω)	Z_{OF} (Ω)
978	$9.8 + j1.4$	$1.5 + j0.1$



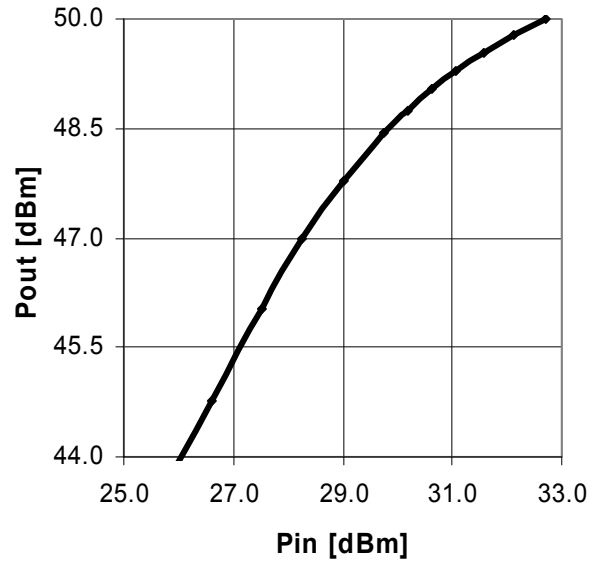
LDMOS Pulsed Power Transistor
 75W, 978 MHz, 400µs Pulse, 1% Duty

M/A-COM Products
 Released, 23 Jun 09

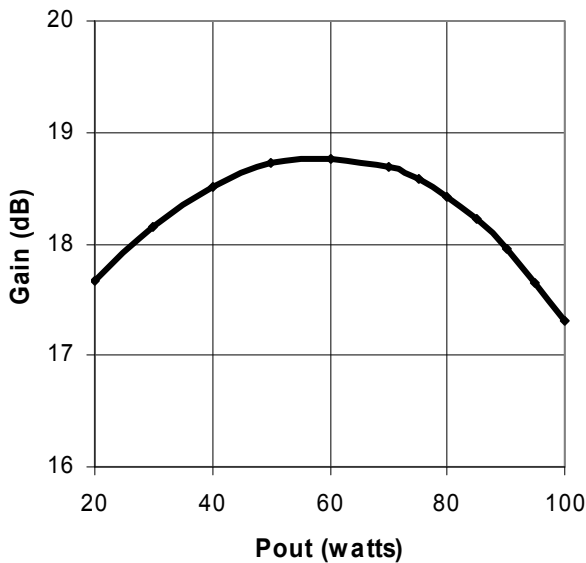
Output Power vs. Input Power



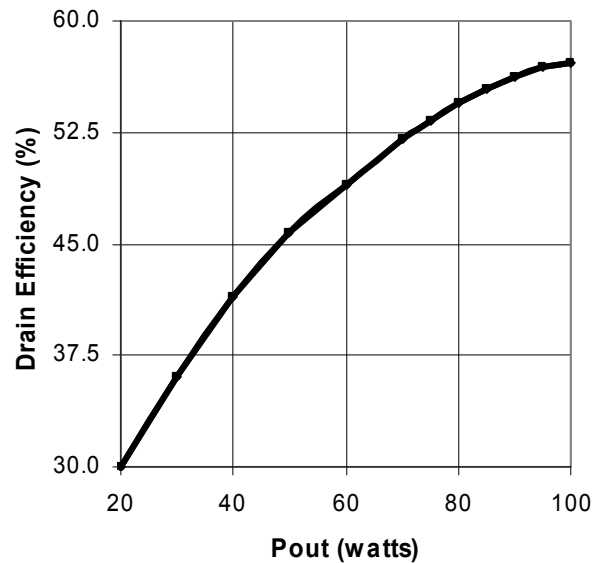
Output Power vs. Input Power [dBm]



RF Power Gain vs. Output Power



Drain Efficiency vs. Output Power



ADVANCED: Data Sheets contain information regarding a product M/A-COM Technology Solutions is considering for development. Performance is based on target specifications, simulated results, and/or prototype measurements. Commitment to develop is not guaranteed.
PRELIMINARY: Data Sheets contain information regarding a product M/A-COM Technology Solutions has under development. Performance is based on engineering tests. Specifications are typical. Mechanical outline has been fixed. Engineering samples and/or test data may be available. Commitment to produce in volume is not guaranteed.

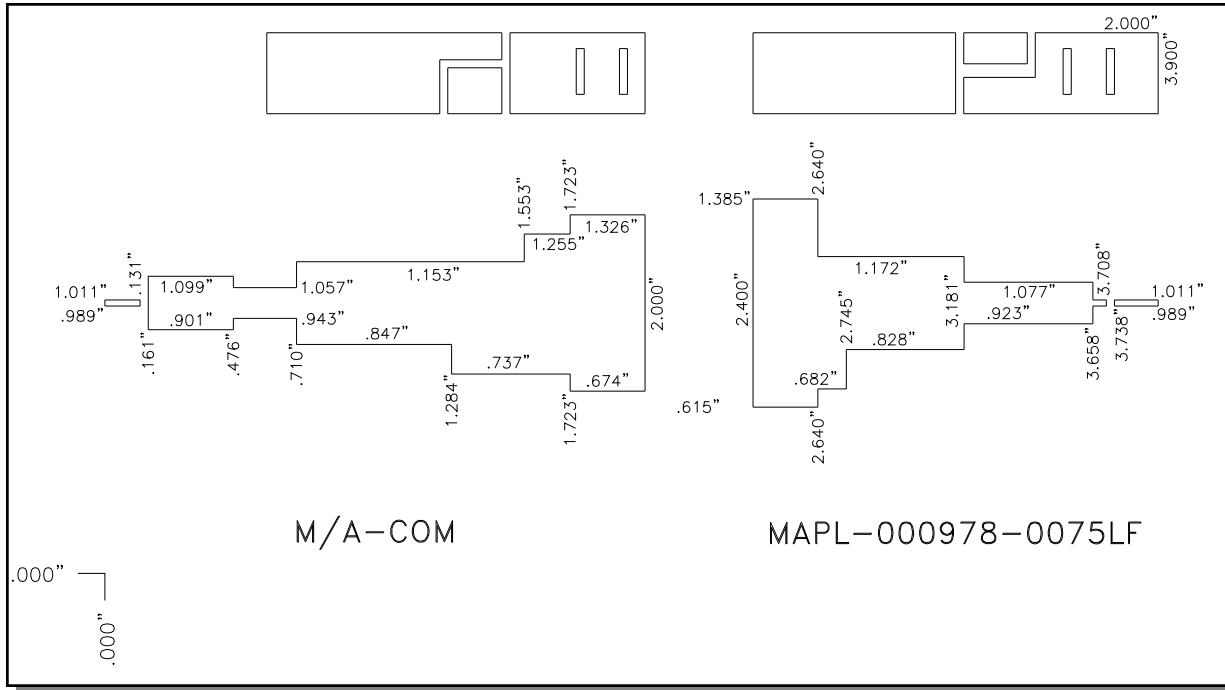
• **North America** Tel: 800.366.2266 • **Europe** Tel: +353.21.244.6400
 • **India** Tel: +91.80.4155721 • **China** Tel: +86.21.2407.1588
 Visit www.macomtech.com for additional data sheets and product information.

M/A-COM Technology Solutions Inc. and its affiliates reserve the right to make changes to the product(s) or information contained herein without notice.

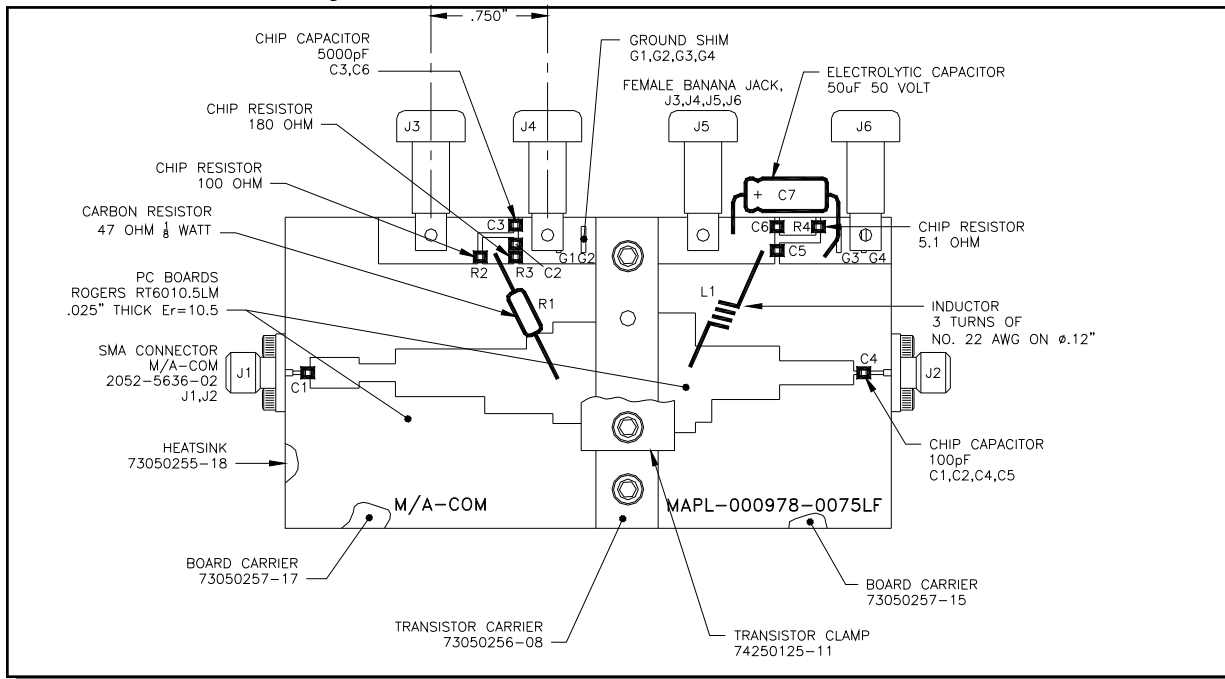
LDMOS Pulsed Power Transistor
 75W, 978 MHz, 400µs Pulse, 1% Duty

M/A-COM Products
 Released, 23 Jun 09

Test Fixture Circuit Dimensions



Test Fixture Assembly



ADVANCED: Data Sheets contain information regarding a product M/A-COM Technology Solutions is considering for development. Performance is based on target specifications, simulated results, and/or prototype measurements. Commitment to develop is not guaranteed.
PRELIMINARY: Data Sheets contain information regarding a product M/A-COM Technology Solutions has under development. Performance is based on engineering tests. Specifications are typical. Mechanical outline has been fixed. Engineering samples and/or test data may be available. Commitment to produce in volume is not guaranteed.

• **North America** Tel: 800.366.2266 • **Europe** Tel: +353.21.244.6400
 • **India** Tel: +91.80.4155721 • **China** Tel: +86.21.2407.1588
 Visit www.macomtech.com for additional data sheets and product information.

M/A-COM Technology Solutions Inc. and its affiliates reserve the right to make changes to the product(s) or information contained herein without notice.

Outline Drawings

